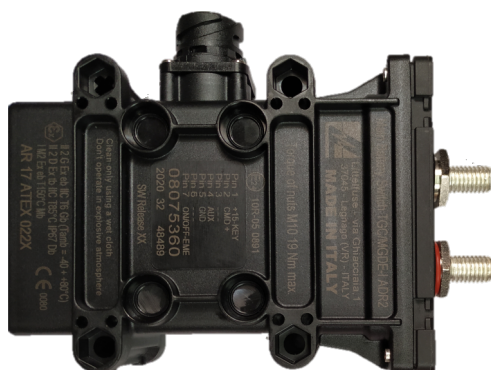


ADR SERIES MAGNETIC BATTERY SWITCH

250A • 12V-24V DC • IP67/IP69K



Description

The ADR (Accord Dangereux Routier) Battery Disconnect Switch is a bistable/magnetic, current isolating switch designed for dangerous goods carriage vehicles. Its ON-OFF position is different than traditional current isolating switches. It uses a minimum current when it is turned on and zero when is off. The “magnetic ON-OFF position” absorbs current only during the commuting phase: when switched from (OFF) to (ON) and vice versa. Generally referred as “bistable with zero consumption”, the switch connects/disconnects the electric circuit to/from the battery.

One P/N can be utilized for both 12V and 24V. The ADR Battery Disconnect Switch is a positive disconnection switch available either as a base unit or complete kit with ATEX compliant chassis switch, cabin toggle switch, switch protection cover, and harnesses.

The ADR Disconnect Switch can also be used for non-ADR applications that can utilize a programmable disconnect time delay (between 1 sec. and 1 hour). ADR applications are required to break circuit within 10 sec. of activation.

Features

- ADR (Accord Dangereux Routier) application
- Magnetic Bi-Stable Retention
- 12V-24V
- Switch OFF programmable delay available for Non-ADR applications
- Complete kit comes with Chassis Switch
- Complete kit comes with Cabin Switch with cover
- Integrated 7-way DIN connector
- M10 terminal studs

Applications

- Heavy Duty Trucks
- Agriculture
- Construction
- Commercial Vehicles

Web Resources

Download 2D print, installation guide and technical resources at:
littelfuse.com/ADR

Specifications Overview

Amperage:	250A Continuous Carry
Voltage Rating:	9V-32V @ 23°C
Circuitry:	SPST
Ingress Protection:	IP67/69K (w/DIN Connector plugged in)
Max Cranking Current:	1000A x 30 sec
Max Peak Current (S.C.):	2000A x 5 sec
Command Supply Output:	1.85A continuous @ 23°C 3.70A as overload protection @ 23°C
Command Input Lines Current:	1.5mA @12V, 3.2mA @24V
AUX Line:	2A continuous @ 23°C 15A as overload protection @ 23°C
Quiescent Current:	0mA (@12V and 24V)
Surface Explosive Gas Atm. Mark:	II 2G Ex eb IIC T6 Gb (Tamb = -40 +80°C)
Surface Explosive Dust Atm. Mark:	II 2D Ex tb IIIC T85°C IP67 Db
Mine Explosive Atm. Mark:	I M2 Ex eb T150°C Mb
R10 Rev05 Marking:	E24 10R 05 0891
Non-ADR Application Time Delay:	Programmable from 1 sec. to 1 hour

Benefits

- Meets requirements for transportation of hazardous materials. Mining, Gas & Dust atmosphere application (according EU regulation).
- Magnetic field enables switching between two stable states. State change must be facilitated by a coil pulse. No opening risk at voltage drop.
- One P/N for 12V and 24V
- Allows Non-ADR vehicle subsystems to maintain power for a period of time after vehicle turned off
- External switch w/LED and cover, ATEX compliant
- ATEX (ATmospheres EXplosible) marking and ADR requirements compliance
- Control output to 7-way harness with kit
- IP54 ADR terminal protections

Ordering Information

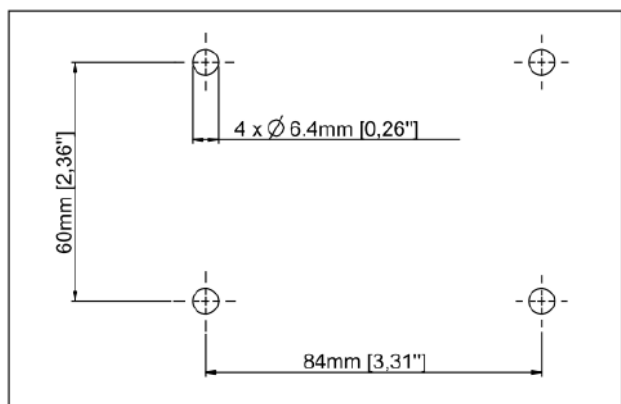
PART NUMBER	DESCRIPTION
08075300	ADR Battery Disconnect Switch Complete Kit The kit includes all the below part numbers
08075360	ADR Battery Disconnect Switch
00227073	Chassis Switch ATEX Compliant w/Cover
00901560	Cabin Toggle Switch ATEX w/Red Silicon Cover
00900560	Switch Protection Cover
00712600	7-Way DIN Harness
00712500	4-Way DIN Harness

ADR SERIES MAGNETIC SWITCH

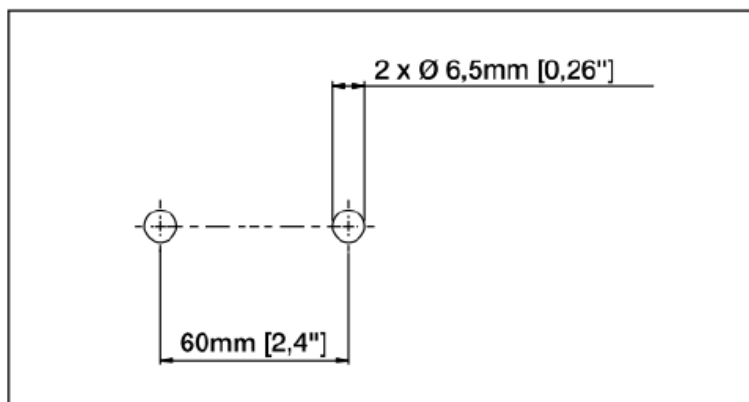
250A • 12V-24V DC • IP67/IP69K

Mounting Diagram

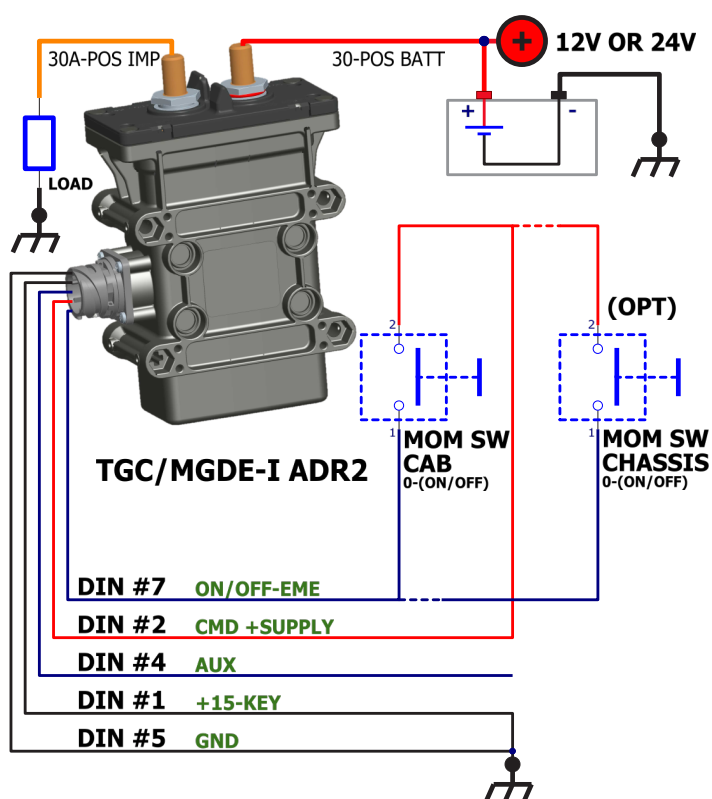
Battery Main Switch



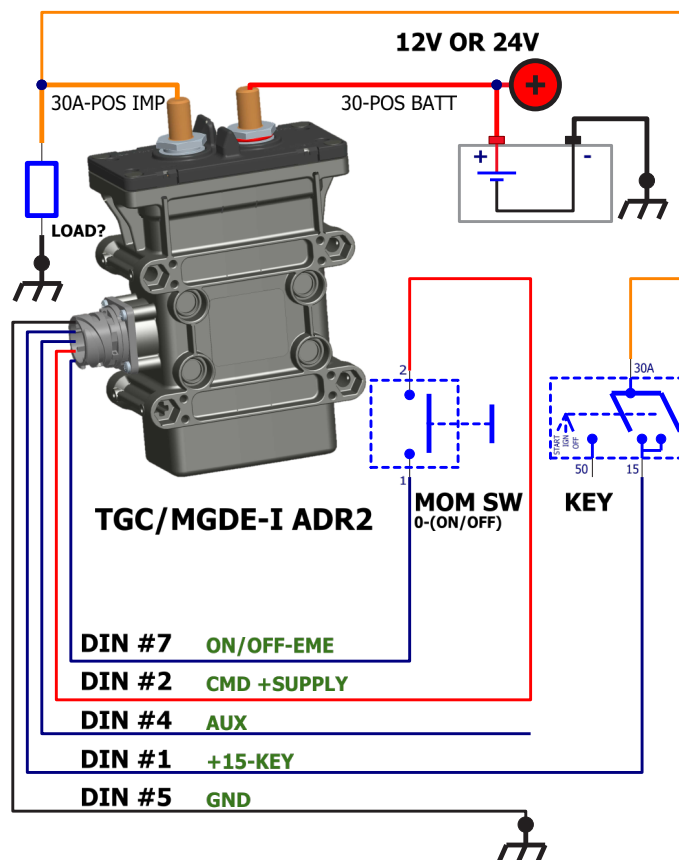
External Emergency Switch



Electrical Diagram



ADR APPLICATION



NON-ADR APPLICATION

