

# SDF104H

## 100W Siren Amplifier

w/ 12-Button Handheld Controller



### FEATURES

- 100W siren amplifier for single speaker (11Ohm) setup.
- Class D amplifier for low amp draw and clean tone
- 12-24VDC multi-voltage.
- 4 x 5A relay output switch
- 7 selectable tone cycles comprised of 4 essential tones: WAIL, YELP, HI/LO, PHASER.
- Positive input for Horn Ring Transfer.
- Radio Re-Broadcasting (RRB) and PA function.
- 12-button handheld controller with built-in microphone.
- Compact design with aluminium chassis.
- Programmable Code 1/2/3 buttons, momentary/maintained/timer switch, siren volume, tone.
- Reverse Polarity Protection.

### SPECIFICATIONS

**Compliance:** SAE J1849 EVS1; CA13; ECE R10\* ; CISPR 25

**Input Voltage:** 12-24 VDC

**Standby Current:** 0 mA (w/o IGN wire) / 0.35 A (w/ IGN wire)

**Avg. Current:** 8.5A @ 12VDC / 4A @ 24VDC

**Max. Current:**

10A @ 12VDC / 5A @ 24VDC (w/o light control outputs)

30A @ 12VDC / 25A @ 24VDC (w/ light control outputs)

**Siren Output Power:** 100W

**Siren Output Load:** 100W-ACR 11Ω

**Siren Frequency:**

758Hz - 1587Hz (WAIL/YELP/PHASER);

447Hz - 596 Hz (HI/LO)

**Operating Temp:** -30°C to 65°C

**I/O:** ■ +VDC, ■ -GND, ■ Speaker Output+-,  
 ■ IGN(Ignition), ■ SW1~SW4, ■ Horn Ring Transfer Input,  
 ■ Radio Audio Input +-,

**Siren Controls:**

5 ON/OFF push-buttons (SIREN, RADIO, Code 1, Code 2, Code 3)

3 Momentary push-buttons (PTT, MAN, HORN)

4 Momentary/Maintained/Timer push-buttons (SW1, SW2, SW3, SW4)

IGN (Ignition) Input Connection

HORN Input Connection

**Light Controls:** 4 lighted push-button switches with replaceable legends.

**Light Output Ratings:** Built-in 5A fuse on each of the 4 outputs.

\* For special order only.

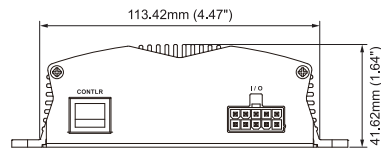
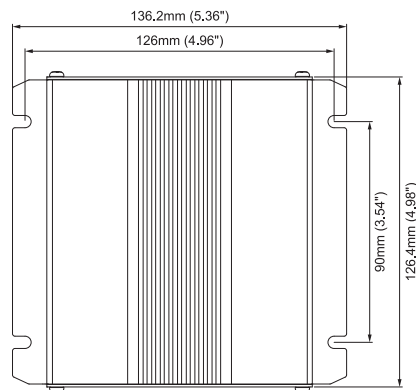
### SELECTABLE TONE CYCLE

#	SIREN TONE CYCLE CHART
1	WAIL/YELP (Default)
2	YELP/PHASER
3	PHASER/HILO
4	HILO/PHASER
5	WAIL/YELP/PHASER
6	WAIL/YELP/HILO
7	WAIL/YELP/HILO/PHASER

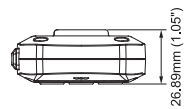
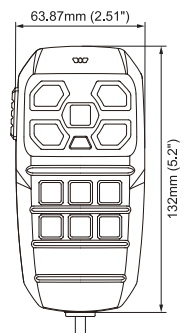
TONES	CYCLE RATES
HORN	Composite (Constant)
WAIL	12CPM
YELP	157CPM
PHASER	895CPM
HI/LO	40CPM

### DIMENSIONS

#### Siren Amplifier



#### 12-Button Handheld Controller



### PART NO.

- **S008-21031-000** (SAE EVS1)

### COMPATIBLE SPEAKER

- **JS100-C1 Compact Siren Speaker**

